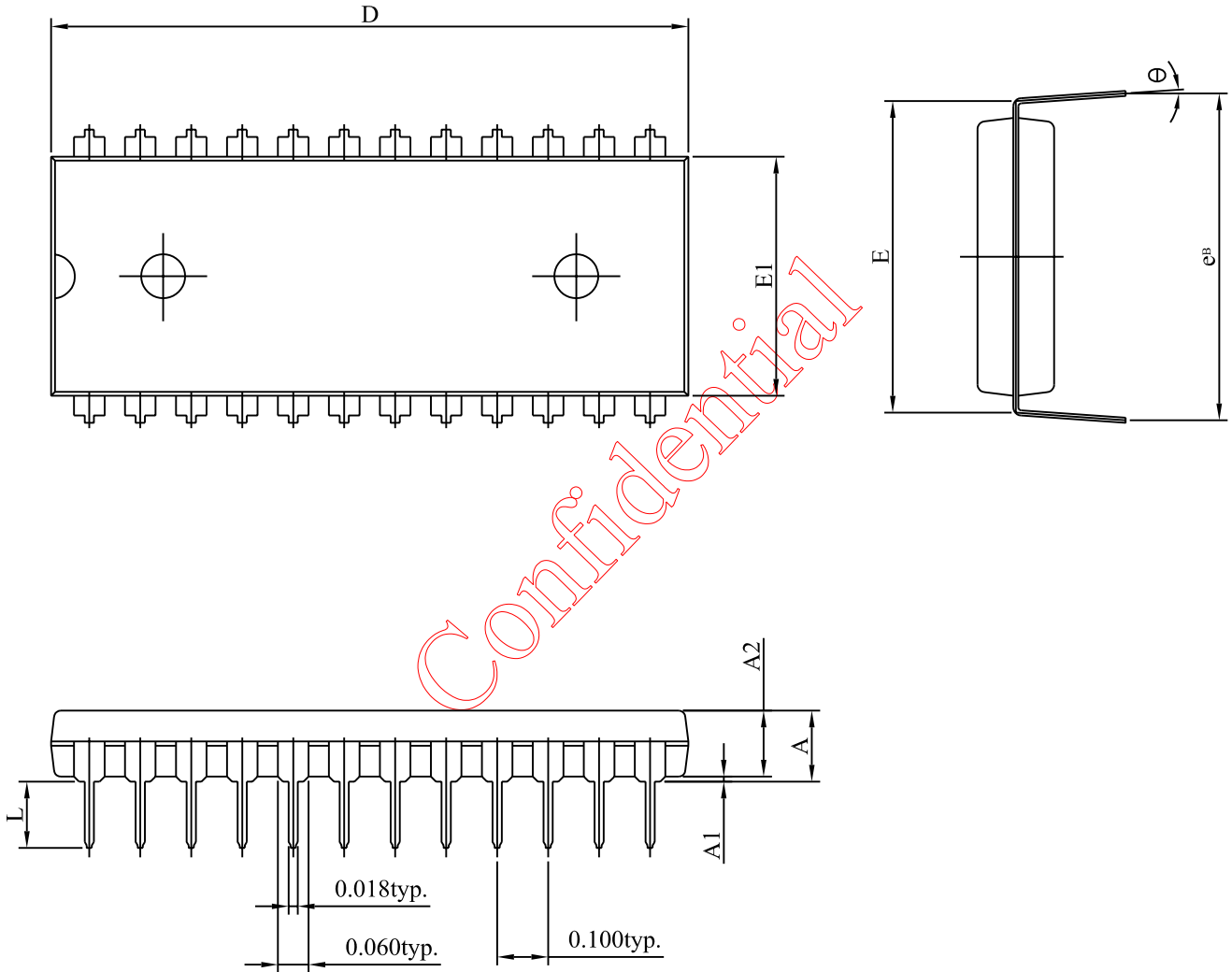




Title: Package outline for 24L PDIP-600mil



Note: Plating thickness spec : 0.3 mil ~ 0.8 mil.

SYMBOL		A	A1	A2	D	E	E1	L	eB	θ°
inch	Min.	-	0.010	0.150	1.245	0.600 BSC	0.540	0.115	0.630	0
	Nom.	-	-	0.155	1.250		0.545	0.130	0.650	7
	Max.	0.210	-	0.160	1.260		0.550	0.150	0.670	15

DWG. NO.	ORIGINATOR	ISSUE DATE	REV.
PC600-0024	Yuki_Yeh	03-Jan.-'08	1